



# Wagon Pars Co.



## Flat Wagon

Standard gauge (1435 mm)

Special for Container transportation purpose, 14 m

### Description

This wagon specially designed for container transportation (2x20 ft./1x40 ft.).

- Coupler: Semi Automatic
- Bogie: 3 pieces casting (18100-Russian)
- Brake: Compressed air brake system

In 2006, Cuban Railways placed order for 50 units of this kind of wagon to WPCo.

Address: No. 76, West Taleghani Ave  
Tehran 14168 Iran  
P.O.Box: 14155-5814

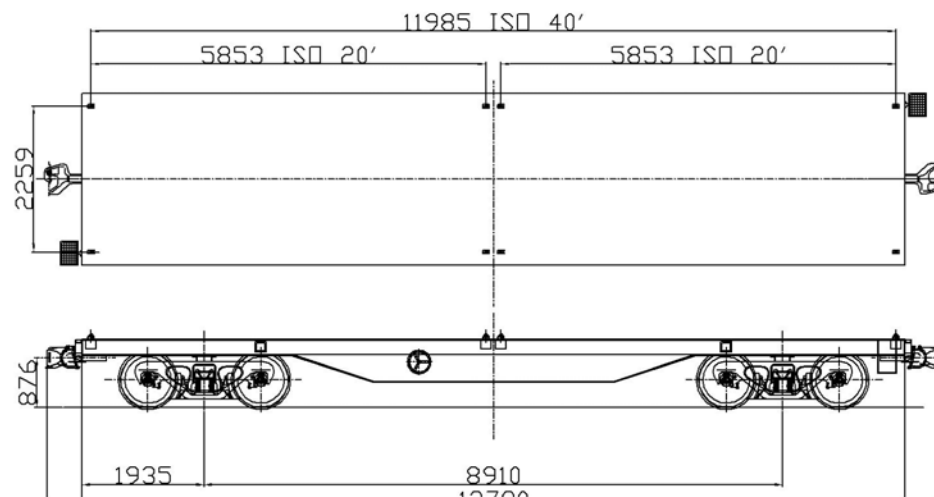
Tel: 0098 21 664 05105  
Fax: 0098 21 664 00263  
E-mail: info@WagonPars.com  
Homepage: WWW.WagonPars.com



# Wagon Pars Co.

## Layout

Standard gauge (1435 mm)  
Container transportation 14 m



## Technical Parameters

■ Track gauge	1435 mm	■ Weight (Tare/Loaded)	20/80 ton
■ Min. Curve radius	80 m	■ Bogie	3 Pieces casting 18-100
■ Speed	100 km/h	■ Bogie wheel base	1850 mm
■ Dimension	acc. to layout		
■ Coupler height from TOR	876 mm (-40)		



Address: No. 76, West Taleghani Ave  
Tehran 14168 Iran  
P.O.Box: 14155-5814

Tel: 0098 21 664 05105  
Fax: 0098 21 664 00263  
E-mail: info@WagonPars.com  
Homepage: WWW.WagonPars.com